

Jamb Brace®

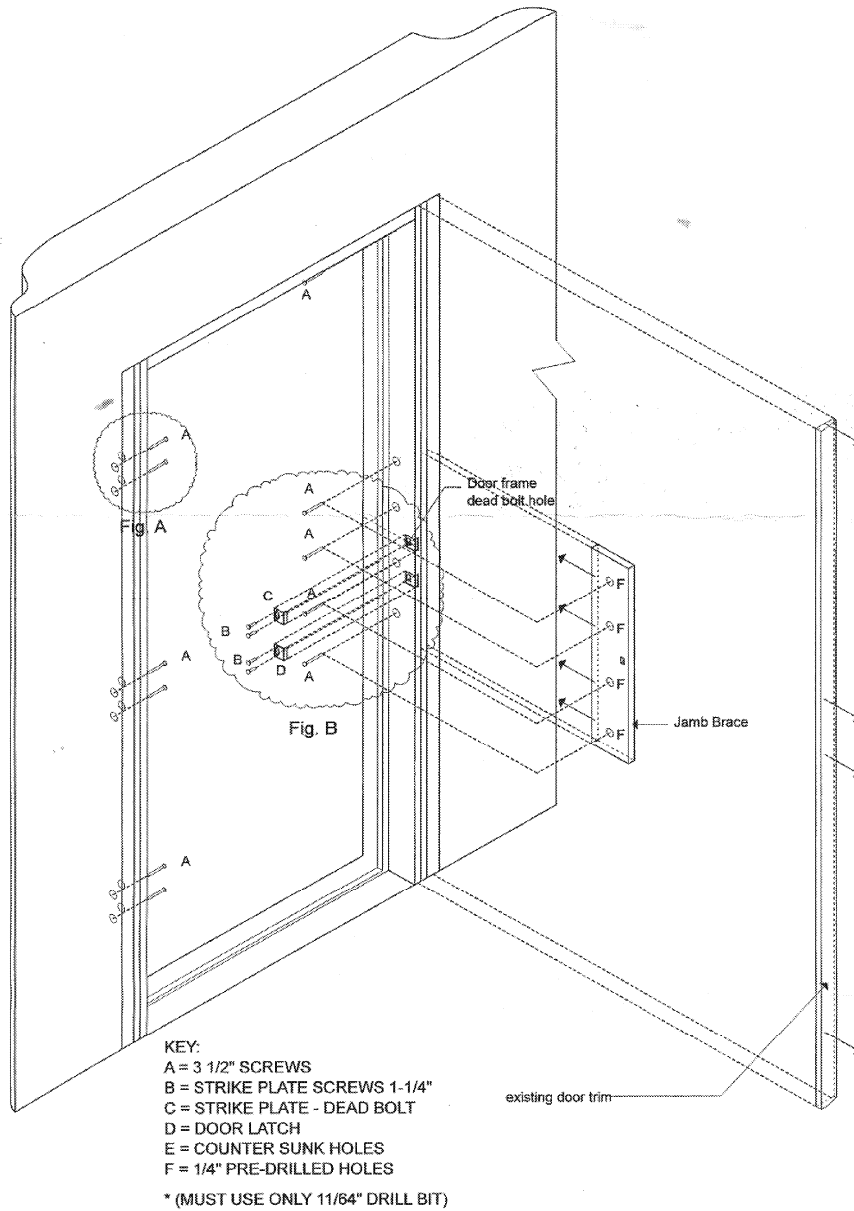
The Door Reinforcer

SD-68

NOTE: If retro-fit ignore counter sink holes 'E'. If installing whole new door unit attach JAMB BRACE prior to installing door unit, using holes 'E' and 1" screws (not provided) Line up dead bolt hole in jamb brace with dead bolt hole in door frame.
Hold 'JB' even with inside edge of door frame and attach using 1" flat head screws. Then using 4 holes 'F' as template drill 1/8" pilot holes through frame prior to installing door unit.
We recommend the installation of a wrap-around 'Escheon Plate' on door after installation.

TOOLS REQUIRED

- 1) electric drill
- 2) 1/8" + 11/64" drill bit
- 3) chisel
- 4) utility knife
- 5) hammer



STEP 1.

Remove door trim from dead bolt side. Recommend you remove hinge side trim also to allow for shimming. Remove weather stripping if needed.

STEP 2.

Remove Debris/ nails and shims from 1/2" space on both sides of frame

STEP 3.

Recommend that you shim behind all hinges and secure with (2) 3 1/2" screws (not provided) in each hinge. This would be a good time to adjust the door to insure proper functioning.

STEP 4.

Install new grade 2 deadbolt (Recommended). Attach U-shaped door edge protector. (Escheon plate) on dead bolt. (Required)

STEP 5.

Using the enclosed template pre-drill 4 holes in door frame for 3 1/2" screws (enclosed) using an 11/64" drill bit.

STEP 6.

Slide 'JB' into cavity between door frame and wall framing. Run 3 1/2" screw into the top predrilled hole so that it extends through the top hole of the 'JB' to hang in place.

STEP 7.

Shim between 'JB' and wall framing so that the 'JB' is tight to the backside of the door frame. Do this for all 3 holes. You need to shim the door frame over as close as you can to the door, but make sure it doesn't interfere with the doors operation. Run 3 1/2" screws through the 3 pre-drilled holes. Finally remove the top screw shim and re-attach with 3 1/2" screw.

STEP 8.

Use the 6 hole strike plate (enclosed) for your deadbolt strike plate. Using the strike plate as a template drill a 11/64 inch hole for all 4 counter sunk holes. Repeat this process for your 2 hole door latch strike plate (use your existing strike plate). Finally attach both strike plates with 1 1/4" Thread cutting screws (provided). THIS MUST BE DONE!

STEP 9.

Re-apply both weather stripping and trim. Attach owner-furnished 2-hole strike plate over 6-hole dead bolt strike plate

'JB' = Jamb Brace

PATENTS NO. 5,241,790
PATENTS NO. 6,185,881
PATENTS NO. 7,134,246

www.JambBrace.com

Jamb Brace®

The Door Reinforcer

SD-68

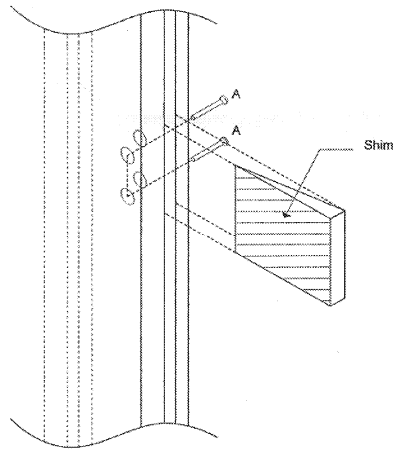


FIG. A
(HINGE LOCATION)

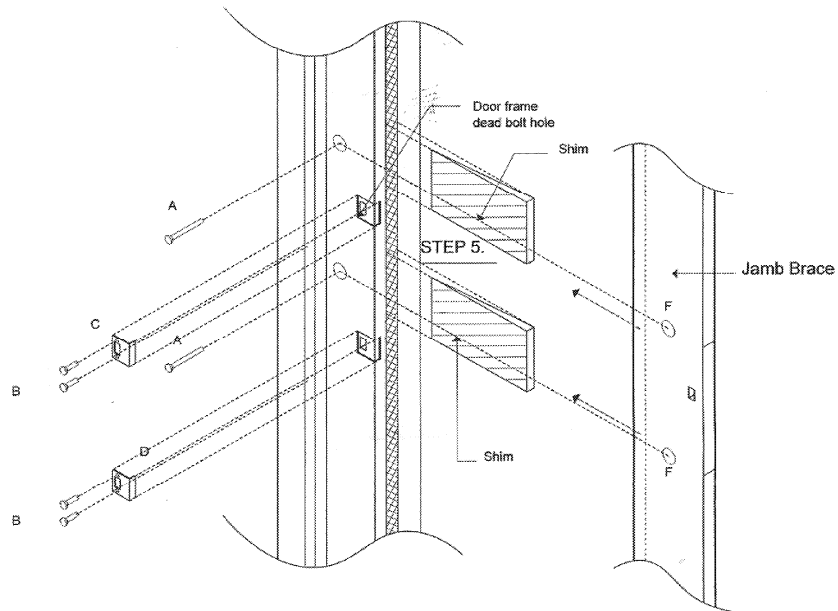


FIG. B
DEAD BOLT

PATENTS NO. 5,241,790
PATENTS NO. 6,185,881
PATENTS NO. 7,134,246
www.JambBrace.com