

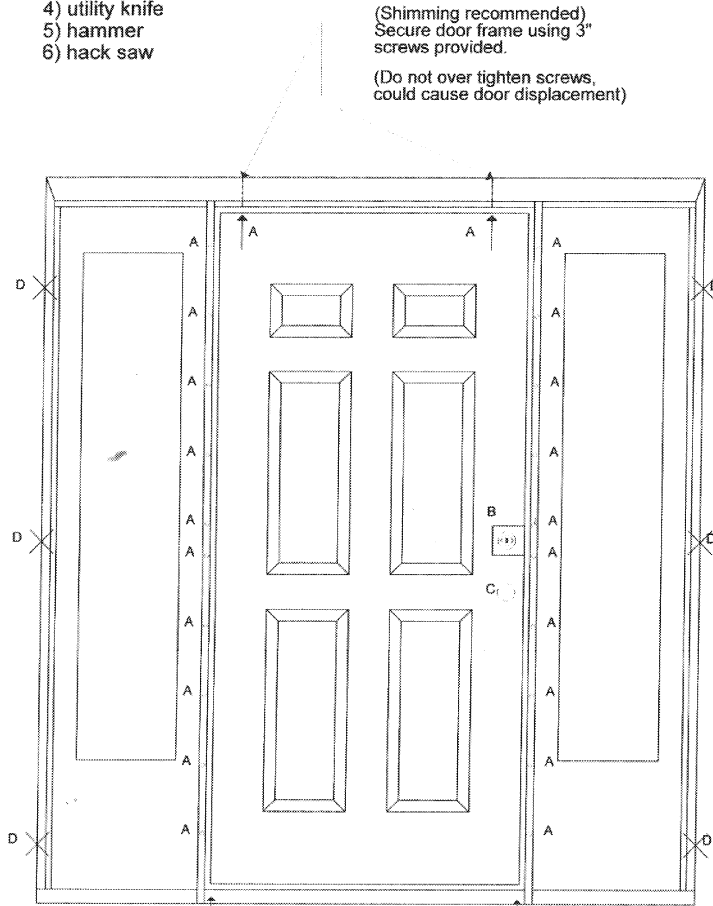
Jamb Brace[®]

The Door Reinforcer

RT0625

TOOLS REQUIRED

- 1) electric drill
- 2) 1/8" drill bit
- 3) chisel
- 4) utility knife
- 5) hammer
- 6) hack saw



(Shimming recommended)
Secure door frame using 3"
screws provided.

(Do not over tighten screws,
could cause door displacement)

Use 3" screws through
threshold to secure - then
caulk screw head

KEY:

- A = 3" SCREWS
- B = ESCHUTEON PLATE
- C = DOOR KNOB
- D = SHIM LOCATION

Note:

IT IS STRONGLY RECOMMENDED YOU USE A
WRAP-AROUND/ U-SHAPED ESCHUTEON
PLATE (B) ON DEAD BOLT.

STEP 1.

Remove existing center mould if any.
Remove all door trim (STRONGLY
RECOMMENDED TO SHIM. @ points D using
3 1/2" screws NOT provided)

STEP 2.

Mortise in L-shaped Strike Plate (provided) for
dead bolt. (Refer to details below).

STEP 3.

Position JAMB BRACE so that center 2 closest
sets of holes line up with extended tabs on strike
plates (see drawing). Note: you may have
to flip 'JB' so that holes line up properly with
tabs. If 'Dead Bolt' is located more than 6"
above door knob you may have cut off excess 'JB'
with a hacksaw.

STEP 4.

Once holes are lined up, use an 1/8" drill
bit to drill a pilot hole at top. Once hole is
drilled secure JAMB BRACE with 3" screw.
Do the same for a middle and bottom hole.
Once 'JB' is secured at all 3 locations drill
pilot holes for all remaining holes and secure
with 3" screws.

STEP 5.

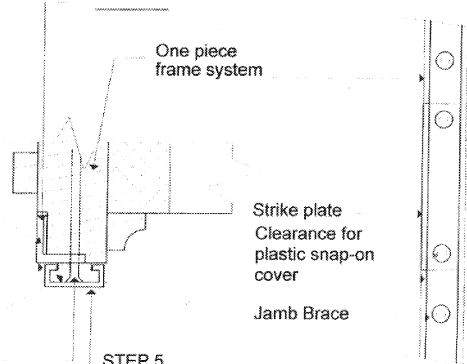
Cut plastic Snap-On cover to the correct length
using a hacksaw and attach to 'JB'
Note: Metal 'JB' strip may be shorter than plastic cover.
If desired, lay existing 2-hole strike plate over
L-shaped strike plate

Mortise in L-Shaped
Strike Plate

Provide clearance
for plastic Snap-On
cover

Jamb Brace
Pre-drilled hole for 3"
screw provided

STEP 2.



STEP 5.

PATENT NO. 6,085,465
PATENT NO. 6,305,127
PATENT NO. 6,430,876
PATENT NO. 6,679,004
PATENT NO. 6,901,706

And other Patents pending